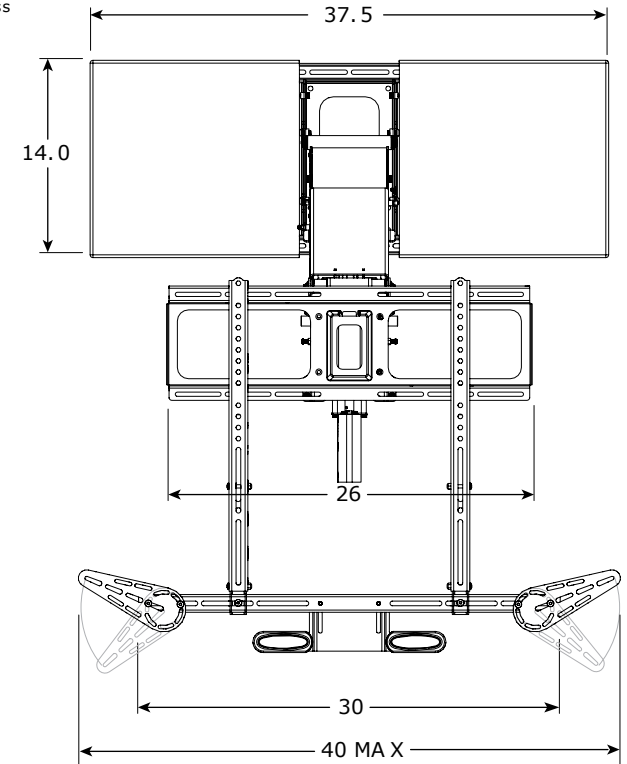
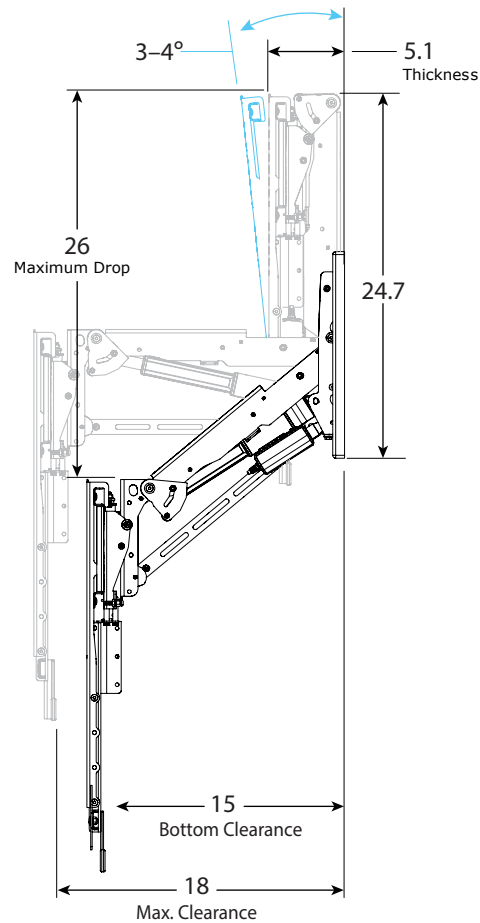
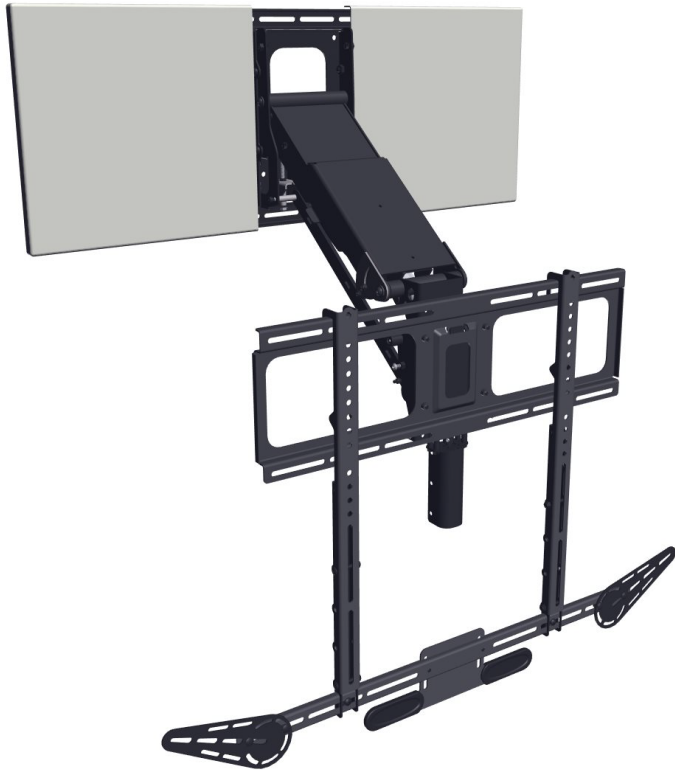




# MantelMount




## MantelMount MM815 Motorized Drop Down TV Mount

**TV Weight Capacity:** 20-115 pounds

**TV Size:** 45" - 90" diag.

**Maximum Lowering Distance:** 26"

**Vertical in all positions:**

3°-4° tilt function in top position

**Thickness from Wall:** 5.1"

**Max Mantel Clearance** 16

**Weight:** (MM815) 43lb

**Package Dimensions:** (MM815) 39" x 16" x 6.3"

**Swivel:** 30° Left and 30° Right

**Steel Thickness:** 3mm

**VESA Pattern:** Up to 600mm x 600mm

**ADDL Features:** Wall Plate Covers, Horizontal Sound Bar Adapter, Optional Visual Heat Sensor, Swivel Motor Clutch, 2 Memory Positions, Automatic Movement, Polymer Bushings, Travel Stops in all directions

